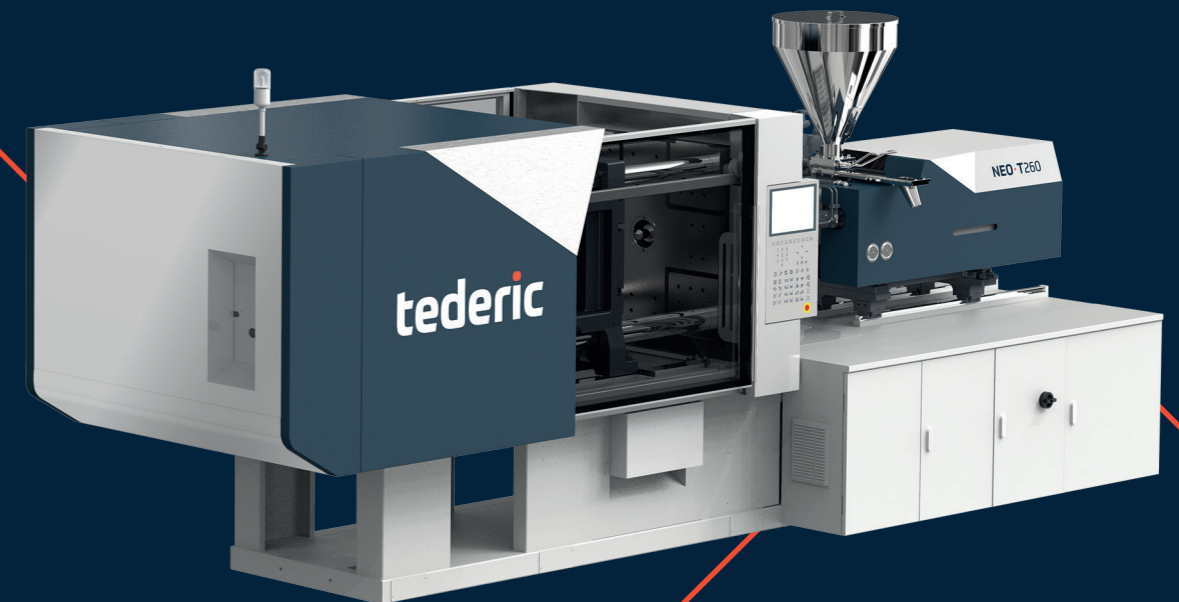


# discover NEO·T

High-end  
**Toggle System**  
Injection Molding Machine



**Tederic Machinery Co., Ltd.**  
No.245 Wenzhe North Road,  
Hangzhou City, Zhejiang Province, 310018, China  
T. +86-571-86733387  
[www.tedericglobal.com](http://www.tedericglobal.com)

**tederic**  
SMART INJECTION

# NEO·T

New High-end Toggle System IMM

NEO·T adhering to the design concept of minimalist elegance, every line, every detail, every piece are born for the optimization of performance.

Clamping force: 90t – 4000t

Stable, Precise, Energy-saving, Flexible

Main application sectors



Packaging



Construction



Home Appliances



Logistics



Environmental Protection



# NEO-T

## Clamping Unit

### Technical Advantages

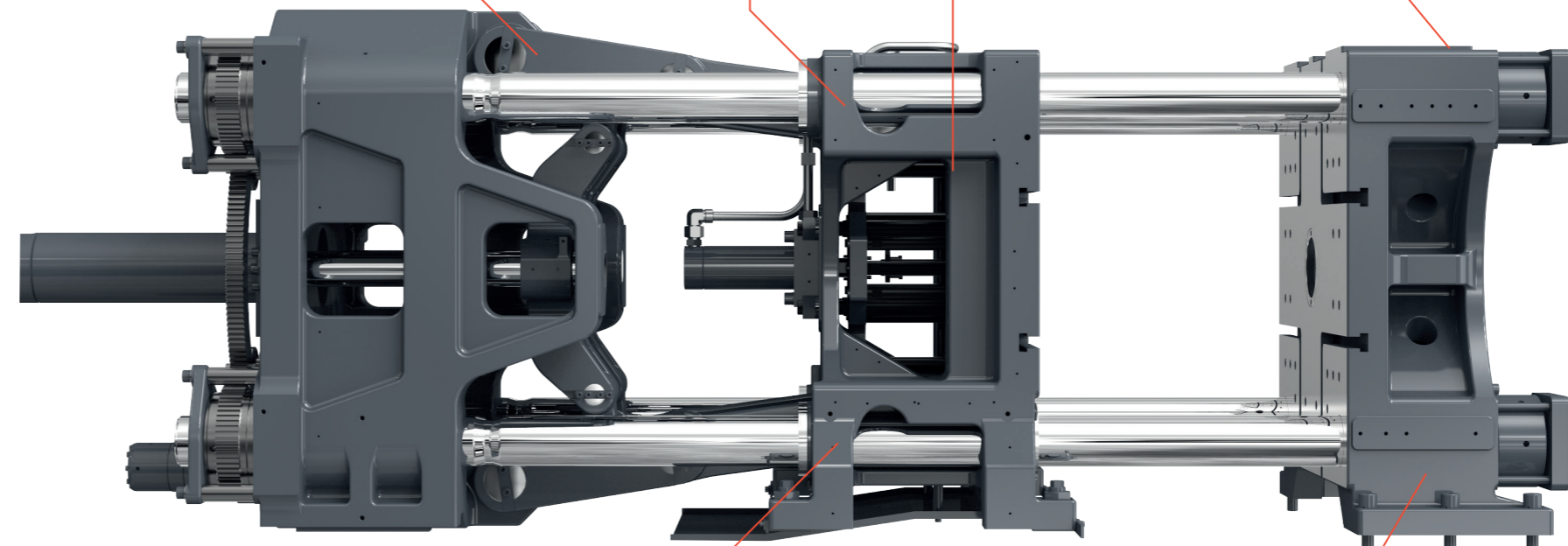
- Mould open position repeat accuracy  $\leq 1\text{mm}$
- Max.mold weight increase 15%
- Tie bar unbalance rate  $\leq 4\%$
- Self-made key units, high precision components and short delivery time

**Ultra-high rigid platen structure**  
Built-in pin shaft provide the larger clamping space, improve the rigidity of the clamping unit and reduce the length.  
NEO-T260 as an example, the main stress reduce 25% and length reduce 200mm.

**Lubrication of toggle and guide sleeve**  
Automatic oil lubrication pump+detector distributor , nice looking and easy to use.

**Standardized robot mounting:**  
Euromap standard robot mounting hole pattern.

**Open and close mold brake oil circuit design**  
Improve the end position of mold opening to be more accurate.



**The sliding foot of the moving platen is extended and the adjustable support device**  
it can support increase the mold bearing load by 15% with better paralelism and simply adjustment.

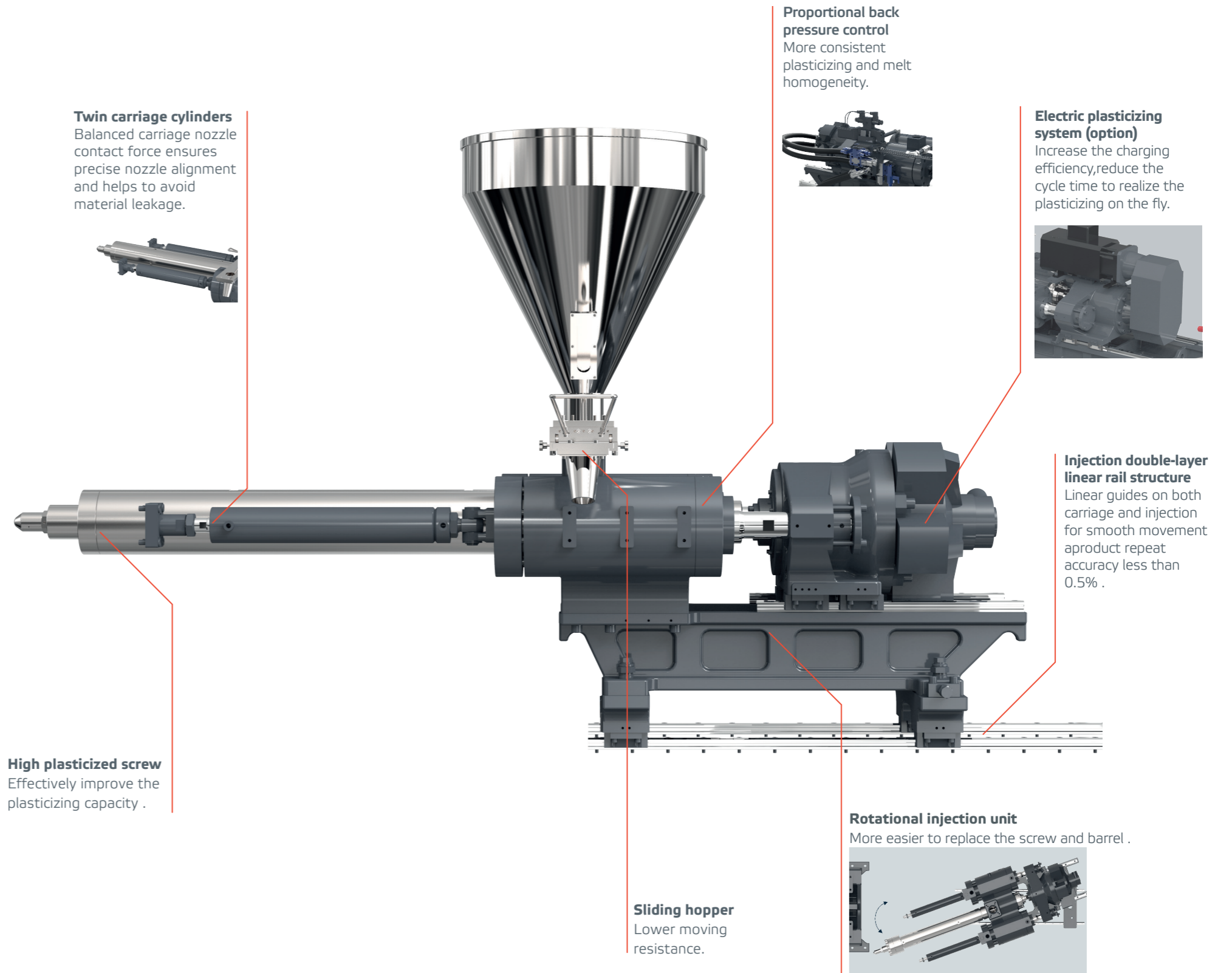
**Box type structure**  
Reasonable layout ensures low deformation, even press distribution, better tie bar positioning and fully improved performance.

# NEO-T

## Injection Unit

### Technical Advantages

- Module design
- Injection repeat accuracy less than 0.5%
- Temperature control of barrel  $\leq \pm 1^\circ\text{C}$
- Injection speed is improve by 15~30% for small IMM while 5~10% for large IMM



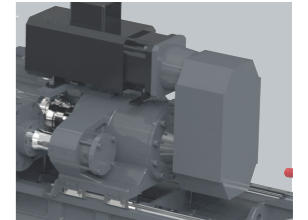
**Twin carriage cylinders**  
Balanced carriage nozzle contact force ensures precise nozzle alignment and helps to avoid material leakage.



**Proportional back pressure control**  
More consistent plasticizing and melt homogeneity.

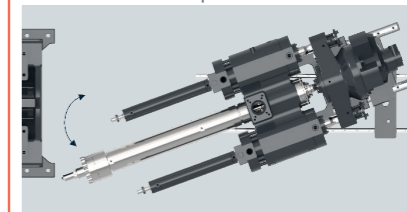


**Electric plasticizing system (option)**  
Increase the charging efficiency, reduce the cycle time to realize the plasticizing on the fly.



**Injection double-layer linear rail structure**  
Linear guides on both carriage and injection for smooth movement a product repeat accuracy less than 0.5% .

**Rotational injection unit**  
More easier to replace the screw and barrel .



**Sliding hopper**  
Lower moving resistance.

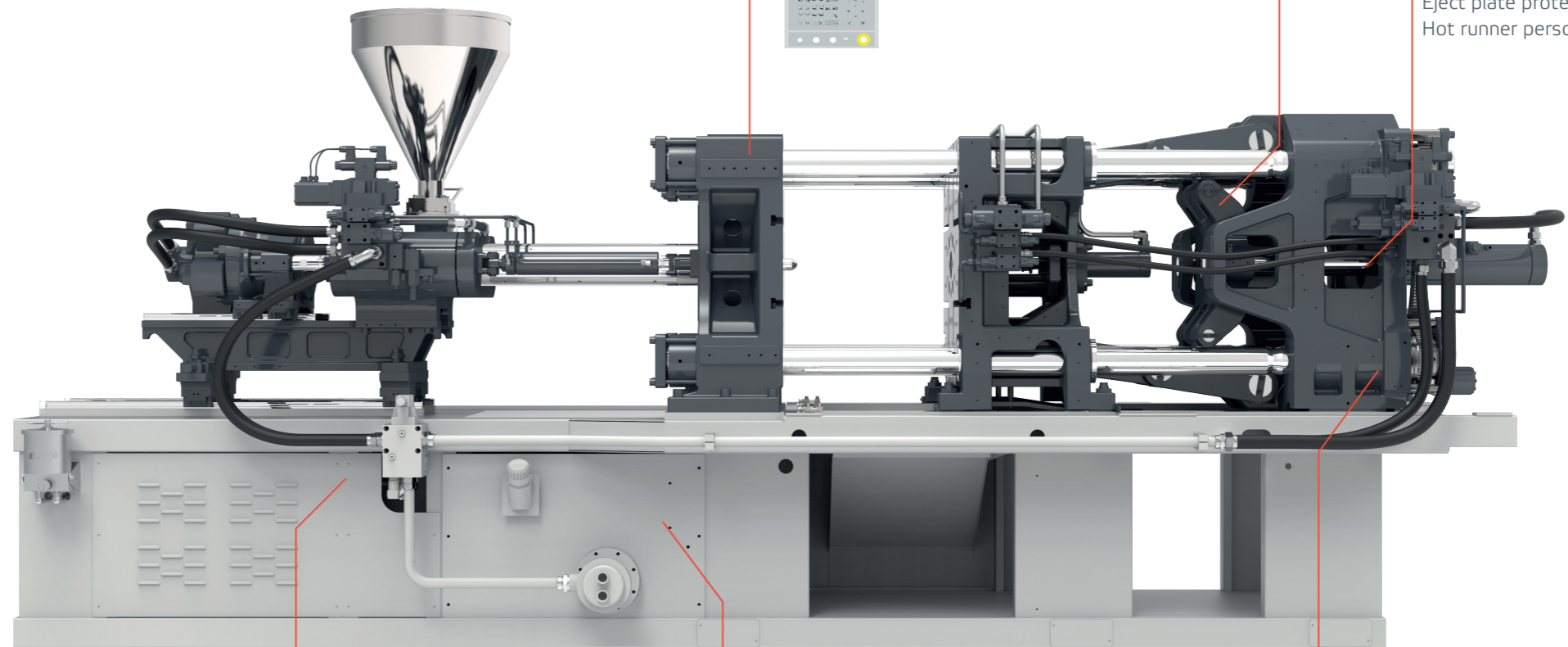
**High plasticized screw**  
Effectively improve the plasticizing capacity .

# NEO-T

## Electrical & Hydraulic

### Technical Advantages

- A new generation of servo power system saves 30% to 80% energy compared with traditional hydraulic systems
- Ultra-high response speed, the highest pressure can be reached in the fastest speed at 28ms, the system pressure is 17.5MPa
- Upgrade pump motor power to short the cycle time and widen the molding process
- Non-welded pipeline, cleaner hydraulic system
- More flexible and friendly used



#### Specialized controller

Equipped with advanced controller especially for injection molding machine. With one-button operation panel, faster scan time, more IO points and available for cloud service to provide the remote assistance and maintenance.



#### Non-welded pipeline, cleaner hydraulic system

Non-welded pipeline makes the oil clean and prevent the oil leakage. By pass oil filter + self-suction filter + non-welded pipeline + intergrated cylinder assembly improve the oil cleanliness.

#### More personalized settings

Clamping force monitoring.  
Eject plate protection signal.  
Hot runner personalization.

#### New generation of servo system

Faster response speed can not only continues running for 10min but also short the cycle time.



#### Professional electrical layout and brand components

Waterproof and dustproof electrical cabinet with world famous components. Separate strong and weak curreny by total EMC thinking and humanized design to guarantee the reliable work precise control and convenience maintenance

#### Advanced hydraulic safety standard

Hydraulic safety with position detection.  
Low pressure mold protection.  
Hose protective chain.  
Pressure relief function.